

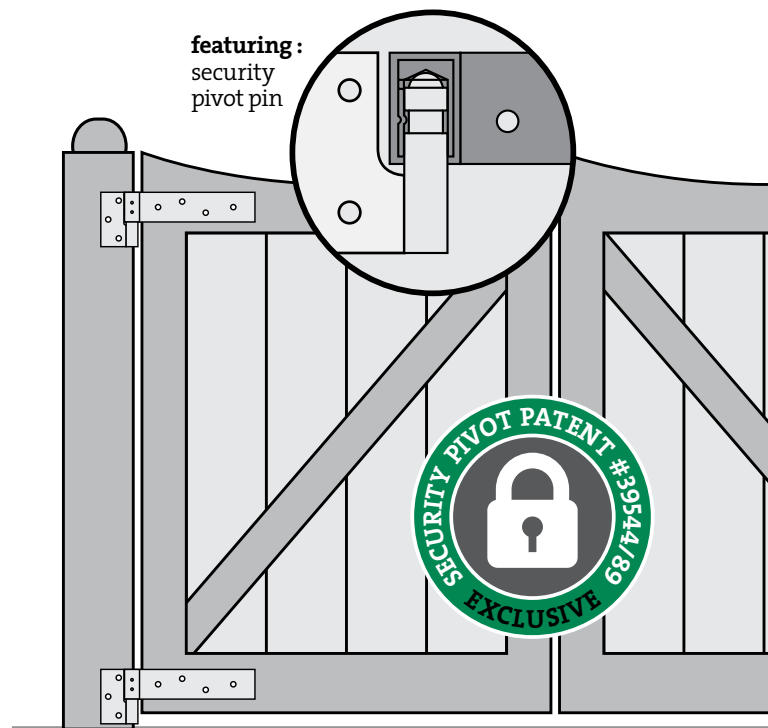
# gate furniture



## featuring our security pivot patent

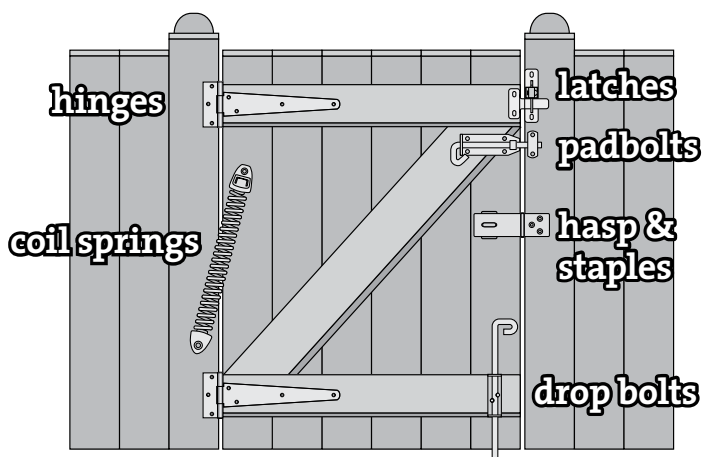
as on the heavy duty security hinge range

- › when the gate is either opened or closed, it can't be removed from the hinge pin.



left hand gate

## other gate hardware you may need.



### FINISH CORROSION RESISTANCE CHART

- 1 stainless steel  
superior finish protection
- 2 galvanised  
high finish protection
- 3 zinc plated  
standard finish protection

# Gate Range Packaging



### Security Gate Strap Hinge

- Left or right handed
- Finishes: zinc plated & galvanised



### Security Gate Hinge

- Left or right handed
- Finishes: zinc plated & galvanised



### Scotch T-hinge

- Sizes: 375, 350, 300, 250, 225, 200, 150mm
- Finishes: galvanised & stainless steel



### Adjustable T-hinge

- Size: 200mm
- Finish: galvanised



### Square Gate Hinge

- Sizes: 89 & 75mm
- Finishes: stainless steel & black



### Strap Hinge

- Sizes: 200, 150, 100 & 75mm
- Finishes: zinc plated & galvanised



### Padbolt

- Sizes: 100,150,200mm
- Finishes: zinc plated & galvanised



### Safety Hasp & Staple

- Sizes: 38, 50, 62,75,90, 115mm
- Finishes: zinc plated & galvanised :



### Wire Hasp & Staple

- Sizes: 38, 65, 90mm
- Finish: zinc plated



### Combination Locking Hasp

- Sizes: 100mm
- Finish: zinc plated



### Gate Latch

- Functions: Improved & D-Latch style
- Finishes: stainless steel, galvanised & zinc plated



### Gate Thumb Latch

- Sold in set only
- Finish: black

# Gate Range Packaging & Finishes



### Gate Gothic Pull Ring

- Available in set and ring separately
- Finish: black



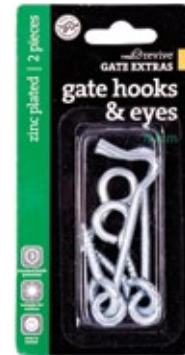
### Pull Handle

- Finishes: black & galvanised



### Gate Hook

- Sizes: 100, 150, 200mm
- Finish: galvanised



### Gate Hooks & Eyes

- Sizes: 38, 50, 65, 75, 100mm
- Finish: galvanised



### Drop Bolt

- Sizes: 200 & 300mm
- Finish: zinc plated



### Gate Spring

- Finish: zinc plated



### Garage Items

- Styles: T handle set, garage lever rear access, T handle and spindle (front and rear fix), L handle and spindle - front fix, roller door cover plate
- Finish: chrome plated



Stainless Steel



Galvanised



Zinc Plated

# Combination Lock Instructions



indicator mark

code example

20 - 5 - 15

## Unlocking instructions

1. Align "0" on dial to indicator mark.
2. Rotate dial clockwise by three **complete** turns before stopping dial at first code number (20)
3. Rotate dial counter clockwise one **complete** turn passing the first code number (20) before stopping dial at second code number (5)
4. Rotate the dial clockwise to third code number (15)
5. Press button to unlock



## Locking instructions

1. Rotate dial in any direction to lock